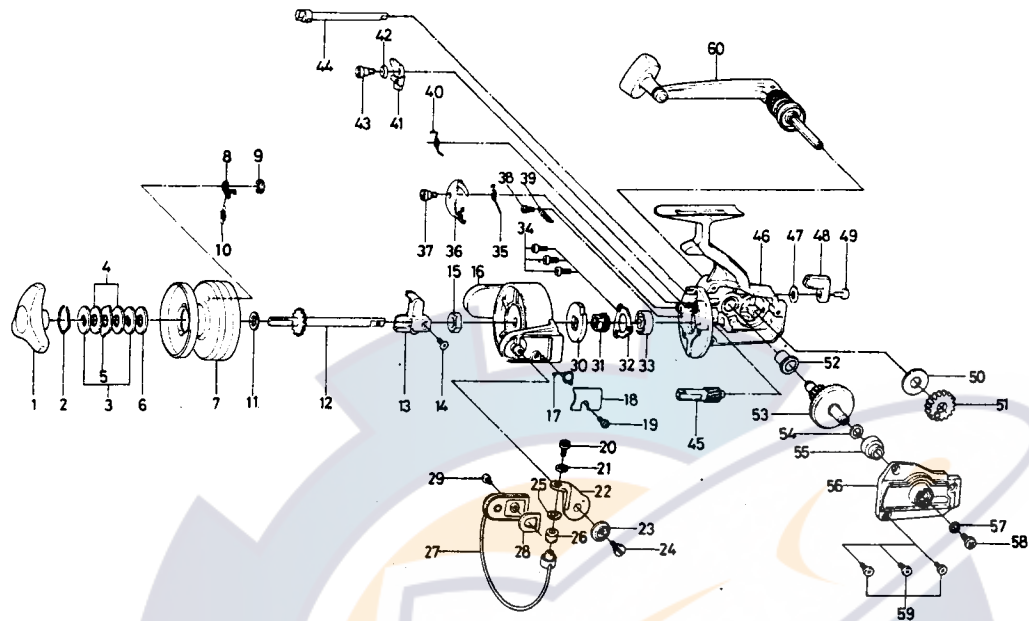


SPINNING REEL **2600SC**



**KEY NO. 2 ~ 10**  
**6-734-1603**

**SPOOL ASSEMBLY**

Key No.	Parts No.	Parts Name	Key No.	Parts No.	Parts Name
1	6-740-2103	Drag knob	31	6-B20-6301	Click gear
2	6-170-4001	Drag washer retainer	32	6-635-9901	Ball bearing ret. washer
3	6-373-2502	Drag D washer	33	6-636-6011	Ball bearing
4	6-374-2901	Disc washer	34	6-351-6601	Ball bearing ret. washer screw
5	6-375-5301	Drag A washer	35	6-144-0211	Click claw spring
6	6-370-6901	Drag washer A	36	6-770-0801	Click claw
7	6-734-1702	Spool	37	6-363-3013	Click claw screw
8	6-B07-8201	Spool click claw	38	6-363-3301	Click lever spring screw
9	6-320-1402	Spool click claw retainer	39	6-144-1211	Click lever spring
10	6-145-2101	Spool click claw spring	40	6-144-0321	Anti-reverse cam spring
11	6-374-9002	Spool washer	41	6-770-0731	Anti-reverse claw
12	6-710-9123	Main shaft	42	6-375-5200	Anti-reverse claw washer
13	6-481-0901	Oscillating slider	43	6-363-3601	Anti-reverse claw screw
14	6-351-8901	Oscillating slider screw	44	6-B15-6402	Anti-reverse cam
15	6-340-8301	Rotor nut	45	6-402-3201	Pinion gear
16	6-201-7711	Rotor	46	6-700-8103	Body
17	6-143-5311	Bail spring	47	6-373-2700	Anti-reverse lever washer
18	6-632-6411	Bail spring cover	48	6-541-1901	Anti-reverse lever
19	6-352-2501	Bail spring cover screw	49	6-352-2501	Anti-reverse lever screw
20	6-363-3111	Bail screw	50	6-374-6600	Oscillating gear washer
21	6-375-1101	Bail washer	51	6-412-3411	Oscillating gear
22	6-231-1901	Arm lever	52	6-501-6201	Bearing metal A
23	6-130-3201	Bail holder cap	53	6-413-1421	Drive gear
24	6-363-1901	Arm lever screw	54	6-371-2800	Drive gear washer
25	6-501-2001	Roller collar	55	6-501-6101	Bearing metal B
26	6-250-4321	Line roller	56	6-705-8806	Body cover
27	6-725-5621	Bail	57	6-371-9521	Handle washer
28	6-210-3111	Balancer	58	6-351-3631	Handle screw
29	6-351-6601	Bail holder screw	59	6-351-8501	Body cover screw
30	6-280-9202	Ratchet	60	6-746-8832	Handle